

# Application Specification



**1800**  
**FormBoss™**  
1800 367 626  
METAL GARDEN EDGING  
www.FORMBOSS.com.au

**We've put together a collection of applications FormBoss™ Metal Garden Edging performs exceptionally well at. With a range boasting 8 profile heights from 75mm high through to 580mm, as well as several gauges & finishes of steel available, it really is your complete edging solution, and it looks fantastic!**

## Contents

Application	Page
Request a sample	2
Flush and low general edging barriers	2
Low to medium height garden beds; 25- 180mm above the soil level	2
Large garden bed or retaining wall	3
Create steps. Curved or straight	4
Industrial strength application	4
Roof top garden	5
Heavily curved and geometric shaped applications	5
Pre-made tree rings/planter rings	5
Painting the edging	5
Bitumen rolled up against the edging	6
Custom shaped/circular Corten firepit	6
Custom work & company logos	6
Tapering edges/sloping block	7
Water tank Bases	7
Reuseable concrete form work guide	7
Dog barrier for fences & decks	7
Disposal of FormBoss™ off-cuts and damaged sections	7
Warranty	8
Stake choice guide	8
Other recommended fixings	8
About us	8

Please contact us if you would like any additional information not provided here. **1800 367 626.**

**Have you used/specified FormBoss™ before? Request a FREE sample!**

If you're new to FormBoss™ Metal Garden Edging, we can send you out a FREE FormBoss™ sample if you have a registered ABN within the landscaping industry. This is also available to DIY'ers a \$14 postage fee is applicable. You'll also receive other valuable resources such as our FormBoss™ material data sheets, our gallery photobook, and price lists. We want your confidence in our products, let us know if we can help.

**Flush, minimum profile installation  
Maximum 30mm protruding ground**

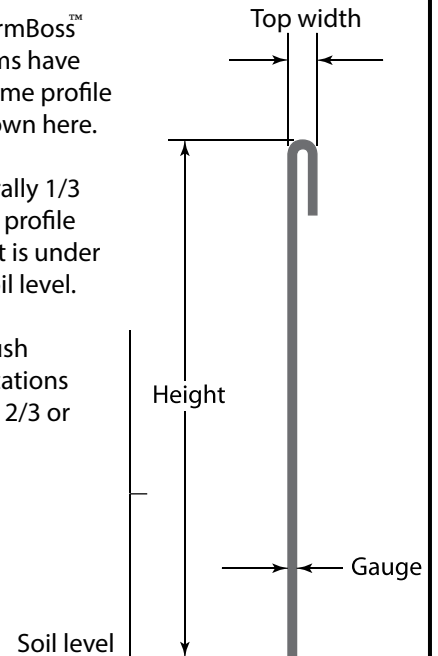
- Profiles used:** 75mm & 100mm.
- Edge buried:** 60-90% of edging profile height.
- Stake spacing:** Three per length (800mm spacing).
- Stake length:** Any.
- Straight lines:** 2mm gauge plus. Thicker gauges = easier.
- Impact proof edge:** Minimum 2mm gauge.
- Screws:** Should be as low as possible. Must be under soil level. One screw per side of connector. One screw per stake.
- Note:** Leave at least a few cm above the soil level in order to whipper snip against the edge.

**FormBoss™ Profile Shot**

All FormBoss™ systems have the same profile as shown here.

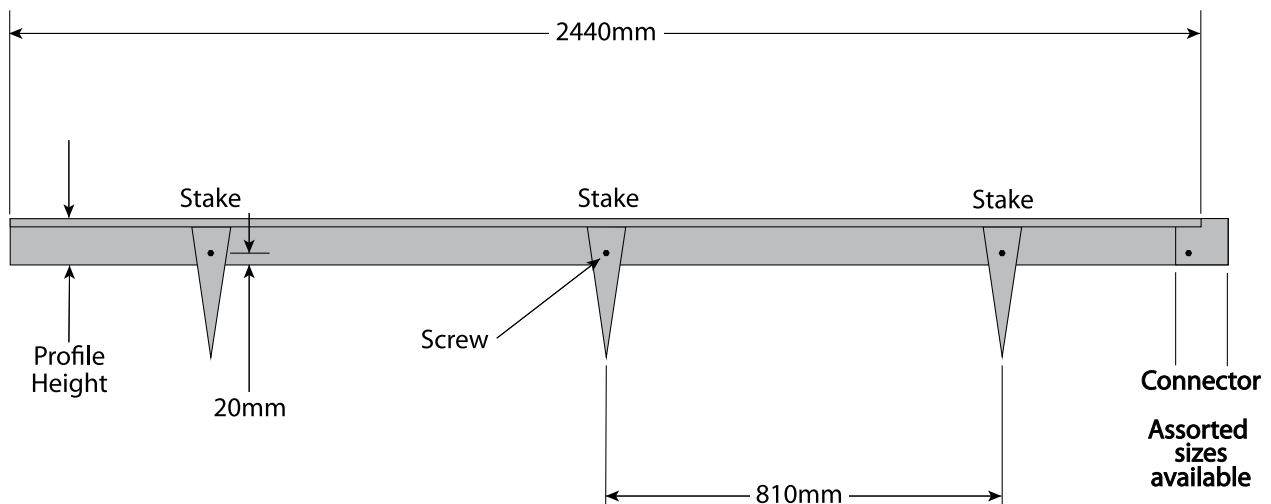
Generally 1/3 of the profile height is under the soil level.

For flush applications install 2/3 or more.



**Low to medium height garden beds 25mm to 180mm above soil level**

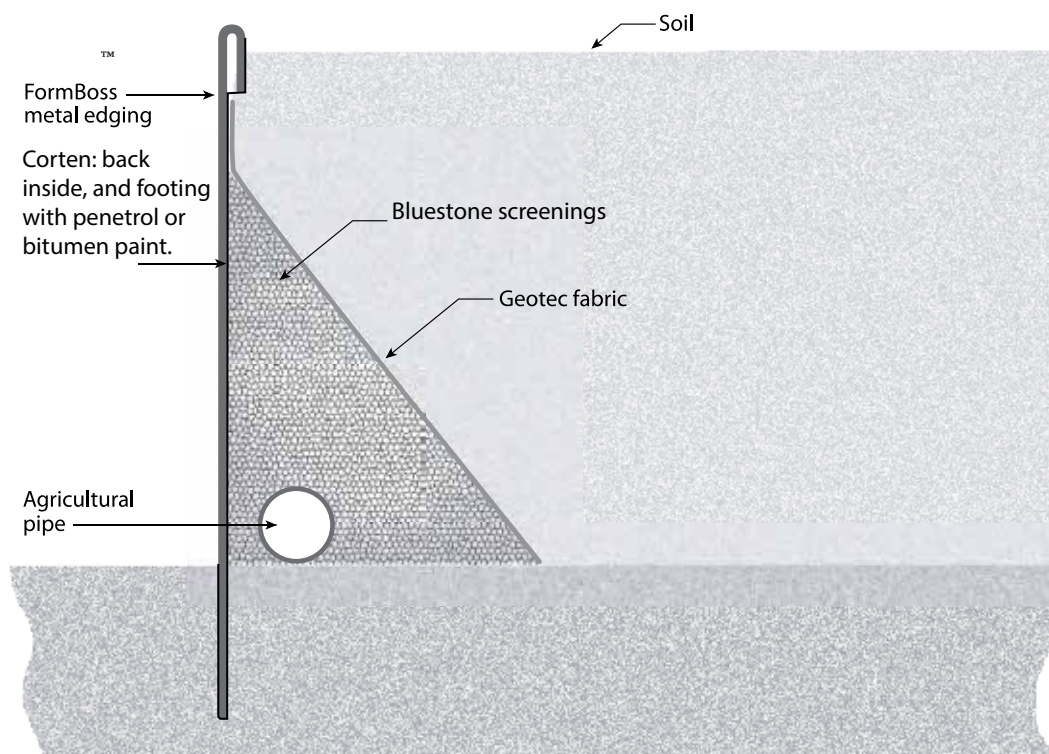
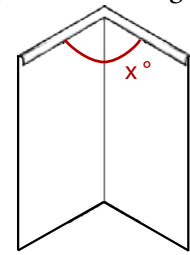
- Profiles used:** 150mm to 230mm.
- Edge buried:** Minimum 1/3 of profile height.
- Stake spacing:** Three per length at 810mm spacing.
- Stake length:** Minimum twice the edging profile height.
- Straight lines:** Ideally 2mm+ for decent straight lines. Higher gauge = better straight lines.
- Drainage:** Back the edging (over 150mm high) with screenings before backfilling with soil.
- Screws:** Must be under soil level. One screw for each side of your connection, one per stake.



## Large garden bed or retaining wall.

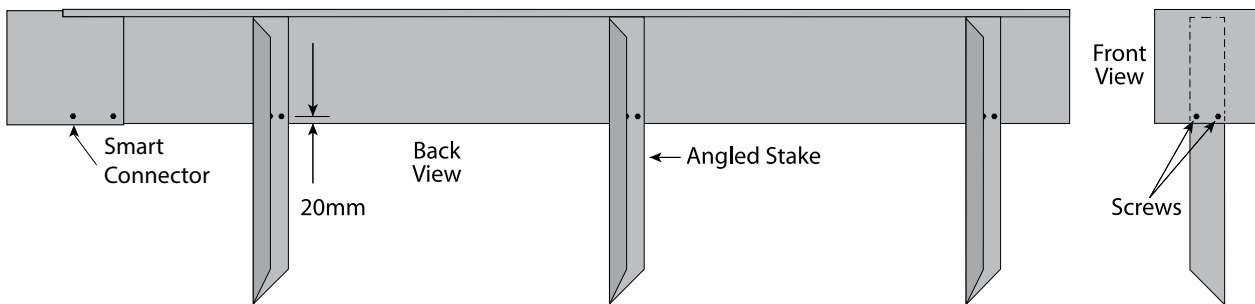
- Profiles used:** 290 to 580mm.
- Edge buried:** Minimum 1/3 of the edging profile height.
- Stake spacing:** Three per length. Use four per length for high load straight lines.
- Stake length:** Minimum twice the edging profile height.  
Eg. 580mm = 1200mm stake; 290mm = 600mm stake.
- Angled stakes:** Use a dead blow (ie rubber mallet) rather than using a sledge hammer which may cause the top of the stake to bend. For hard ground, 1200mm angled stakes may need to have a connector temporarily screwed to the top of the stake so you can hit it with extra force, driving it into the ground. A 75-80mm auger and a post hole digger can make 1200mm stake installation *much* easier.
- Creating angles:** It can be difficult to create precise bent corners on site in these larger profiles. We prepare preshaping to your specifications at a small cost. We also provide pre-made corner pieces for 230mm+. **Do not cut and join.** It will compromise the edges safety. We have portable bending vices that can be hired for large projects.
- Star pickets:** Star pickets can also be used but custom brackets need to be made, We do not sell these. They need to be fixed to the edging system without being dangerously exposed.
- Fixings:** Two screws per side of connector and two screws per angled stake. Must be under soil level. For 390 & 580mm edges install a stainless steel rivet each side of each connection and one rivet per stake, about half way up your profile to gain extra strength.
- Drainage:** FormBoss™ edging can be used as a closed wall retainer and may need sub-surface drainage. See drawing below. The need to install drainage will be dictated by the height of the wall and/or the soil type. Sandy soil will drain better than heavy clay soil. Backfill with bluestone screenings before covering with geotec fabric and then backfilling with soil. This process also protects your plants from the heat of any direct sunlight on the steel, and will ensure your edges last for many years to come.
- Waterproofing:** Corten steel should be painted with penetrol or bitumen paint on all areas subject to constant moisture/contact with ground. This process will increase the life of your galvanised and ZAM® edges also, but is not necessary.

*Premade corner peice.  
Lip inside or out, bent  
to your desired angle.*



## Create steps, curved or straight

- Profiles used:** 230 to 390mm profiles. All steps should be between 115-190mm to meet regulations.
- Edge buried:** Minimum 1/3 of the profile height. To ensure stability of frequently used steps, install with approximately 50% of the edge under the soil level.
- Stake spacing:** Four to five per length. Depending on traffic.
- Stake length:** Minimum twice the edging profile height. Use angled stakes for extra stability. In sandy soil, a minimum of 600mm long angled stakes should be used.
- Straight lines:** Minimum 2mm gauge. Higher gauge = better straight lines.
- Drainage:** Refer to 'large garden bed or retaining wall' drainage above.
- Concrete haunching:** Is strongly recommended. See 'industrial strength applications' below.

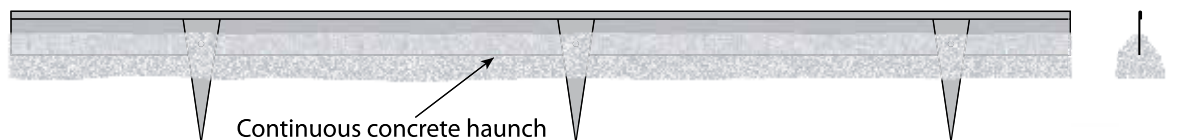


*This is a general application of staking our profiles over 230mm. Please use extra angled stakes for steps.*

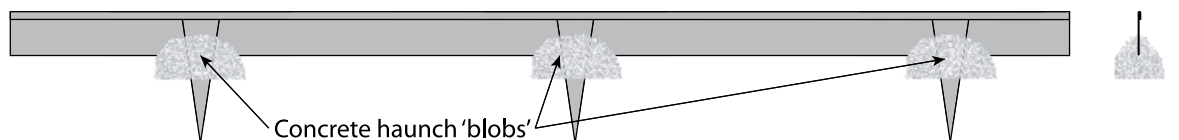
## Industrial strength application

- Profiles used:** 100mm to 580mm profiles.
- Gauge:** Minimum 2mm.
- Finish:** ZAM® steel offers the best durability for money, lasting up to three times as long as gal!
- Edge buried:** Minimum 40% of the edging profile height.
- Stake spacing:** Strictly three or more per length.
- Stake length:** Minimum of twice the edging profile height.
- Concrete haunching:** Optional, dig a narrow trench. Pour concrete into the trench before laying the edging and back fill to prevent the edge from moving. For lower strength concrete haunching. Try placing blobs of concrete where you're stakes are positioned. It's more economical and still makes your installation really strong.

### Solid continuous concrete haunch for maximum strength

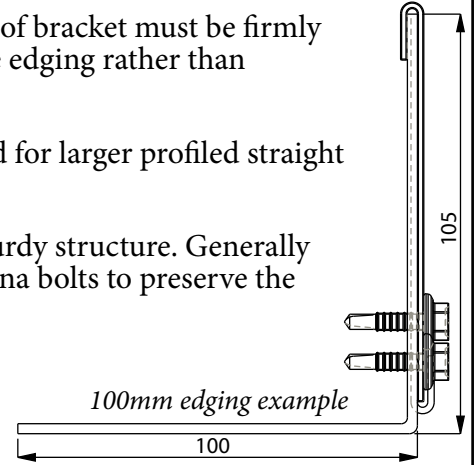


### Quick and easy concrete haunch solution



## Roof top gardens

<b>Profiles used:</b>	All FormBoss™ edging profiles can be used.
<b>Brackets (Stakes):</b>	‘L’ brackets need to be used instead of stakes. Top of bracket must be firmly inside the rolled lip. They act like a footing for the edging rather than anchoring it.
<b>Bracket spacing:</b>	Three per length. Four per length may be required for larger profiled straight lines.
<b>No stakes:</b>	Edging must be fixed securely to some form of sturdy structure. Generally brackets are fixed with an adhesive rather than dyna bolts to preserve the concrete slab or waterproof membranes.
<b>Fixings:</b>	Screws must be covered with filling. Stainless rivets and adhesives can be utilized where it's impossible to hide screws (for better aesthetics).
<b>Drainage:</b>	‘L’ brackets are to be raised a minimum of 5mm above the slab to allow access water run off. Drainage cells must be used as per ‘retaining wall’ specifications above.

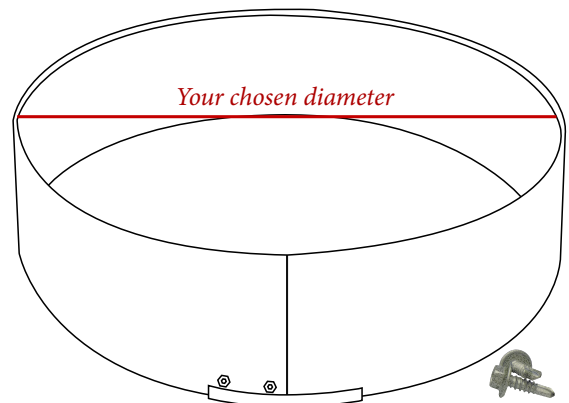


## Heavily curved and geometric shaped applications

<b>Description:</b>	Applications where it's constantly got really tight curves and angles, generally these applications have no diameters above 1m in diameter, and have continues curves.
<b>Profiles used:</b>	All of our profiles can be used.
<b>Edges buried:</b>	Minimum 1/3 of the edging profile height.
<b>Stake spacing:</b>	Two to three stakes per length depending on how much is buried under the soil.
<b>Stake length:</b>	Minimum twice the edging profile height.

## Pre-made tree rings/planter rings

<b>Edges used:</b>	All FormBoss™ edging profiles, finishes and gauges.
<b>Edge buried:</b>	Circles 1400mm diameter and under are self supporting, so long as it's being installed on a flat surface. Bury the edging just enough to cover the screws.
<b>Stake spacing:</b>	Two stakes per length. Flat surfaced rings under 1400mm diameter don't need stakes.
<b>Stake length:</b>	Minimum twice profile height.
<b>Sizes:</b>	We roll your chosen edging system to your specified diameter. We have two set sized rings available in 700mm, and 1400mm diameters. Edges over 2m in diameter can be shaped pretty easily on-site, however we can still roll them for you if prefer.



*Our circles suit new and existing gardens. Loop around your feature and insert 2 screws.*

## Painting the edging

<b>Description:</b>	Both the ZAM® and Galvanised ranges can be painted. (Corten with penetrol or bitumen only). To ensure optimum results, we highly recommend consulting an auto paint expert about the specific needs of your project. Because applications vary greatly, talking to an expert can save a lot of time on maintenance.
---------------------	---



## Bitumen rolled up against the edging

<b>Description:</b>	Bitumen can be rolled directly up against the edging.
<b>Edges used:</b>	100mm, 150mm.
<b>Gauges used:</b>	Minimum 2mm gauge. Preferably 2.5mm gauge.
<b>Edges buried:</b>	Minimum 80mm of the profile height to be installed under the soil level.
<b>Stakes &amp; spacing:</b>	You need many more stakes to roll bitumen up against the edging. It can be more economical to utilize timber stakes and space them every 300-400mm.
<b>Tip:</b>	Try not to hit the edging with the roller, it can pay to have 1-2 extra lengths in case.

## Custom shaped/circular Corten firepits

<b>Edges used:</b>	Strictly Corten range only. Gal & ZAM® will give you zinc poisoning if heated too much, similar to if you were welding with it.
<b>Edge buried:</b>	1/3 of profile height.
<b>Stake spacing:</b>	Three stakes per length. For circular fire pits refer to 'pre-made rings' specifications above.
<b>Stake length:</b>	Minimum twice profile height, if needed at all.
<b>Sizes:</b>	These are generally made out of profiles 185-390mm edging systems.
<b>Availability:</b>	Circles and custom shapes can take up to 5 working days to produce depending on the demand and quantity.
<b>Tip:</b>	Use a plasma cutter to cut out your own design in the pit. Once you have a fire going it will look amazing.



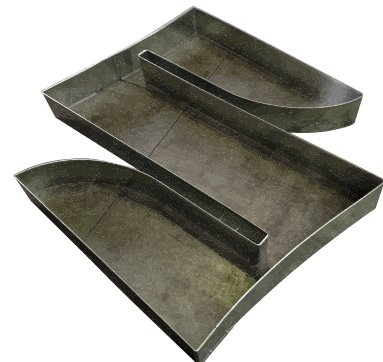
Firepit design: Sydney Landscapes

## Custom work & company logos

<b>Description:</b>	With FormBoss™ you can create any shape you can imagine. We can make up just about anything for you by hand. It helps if you have a plan. FormBoss™ can also be used to create your company logo, giving you fantastic street presence.
<b>Edges used:</b>	All FormBoss™ Metal Garden Edging systems.
<b>Availability:</b>	Detailed custom shapes can take up to 7 working days to produce depending on demand. Large detailed designs can take over 1 week to make depending on the scale.
<b>Note:</b>	We charge per bend/roll for preshaping services. Please note that a lot of your designs can be produced on-site. Please refer to the price list for additional information.



Examples of FormBoss™ custom work.



Suzuki® Logo.

## Tapering edges/sloping block

- Description:** For sloping blocks and tapering edges you can connect different sized FormBoss™ profile heights. Simply use the larger connector of the two and connect as you usually would, making sure to insert two screws either side of the connector to keep the connection flush. Try burying one end of the edge more than the other to taper.
- Method:** See [www.formboss.com.au/connecting-the-length/](http://www.formboss.com.au/connecting-the-length/) for a more thorough description with pictures.

## Water tank bases

- Description:** Use FormBoss™ to create a clean elegant perimeter to your water tank bases.
- Method:** Contact your water tank supplier in order to receive specific advice on installation.

## Reuseable concrete form work guide

- Description:** Install FormBoss™ as a concrete formwork guide for both straight and curved concrete designs. It's best when it is left in place reinforcing the side of the concrete. It can however be reused over and over as a concrete formwork aid.
- Method:** Simply line the installed edge (generally lower edging heights) with the screws on the outside. Line the inside of the edging with builders film and tape. Cut your reo steel to match your design, installing as you would usually, then fill with concrete. It can then be removed once the concrete is set.
- Fixings:** Use rivets instead of self tapping screws. If you're reusing the formwork your holes will already be predrilled and the rivets will be easier to remove once the concrete is set.
- Note:** You can fix any possible kinks created from reusing the formwork by manipulating the lip of the edging with a screwdriver. Unusable and angled sections should be cut out with an angle grinder. Any excess steel should be recycled.

## Dog barrier for fences and decks

- Description:** FormBoss™ can be installed along the side of a fence or decking to stop your dogs digging underneath.
- Method:** Install your edging deeper than you usually would along the line of your fence or decking. The edging can be fixed directly to the fence/decking with timber screws. When installing FormBoss™ as an animal barrier take extra care to ensure all burs created through installation are filed thoroughly.
- Fixings:** Use rivets and countersunk timber screws where possible. If using the standard self tapping screws, grind the excess screw off and pop a blob of silicone on the fixing to protect any potentially mischievous paws.

## Disposal of FormBoss™ off-cuts and damaged sections

- Recycle:** Recycle unwanted FormBoss™ where possible. There are many recycling yards around that will pay for your off-cuts and damaged lengths.
- Damaged Sections:** Uninstall any severely damaged lengths as required. It is a good idea to purchase several extra lengths of steel on large projects with large machinery. Lengths can get damaged and it's cheaper than paying twice for freight, especially on a deadline.



## Warranty

All FormBoss™ edging systems are covered by a **10 year structural replacement guarantee** (15 years for ZAM® steel). Refer to our website for warranty terms and conditions. They can be found on the PDF page. It is important to make sure you are following all the correct installation procedures in order to make a claim.

## Stake choice guide

<b>Sandy Soil:</b>	Use longer stakes.
<b>Clay soil:</b>	Shorter stakes can be used.
<b>Rocks and tree roots:</b>	Use stakes to suit. If it is a retaining wall, remove rocks and or roots to allow access for installation of stakes. You may need to move the stake to a new area if you encounter difficulties.
<b>Compact soil:</b>	Shorter stakes can be used.
<b>Top soil:</b>	Use longer stakes.



*All FormBoss™ stakes slot under the top lip.*

## Other recommended fixings

<b>Welding galvanised &amp; ZAM® steel:</b>	In the majority of applications screws are all that are required to fix the edging and stakes successfully. However if you believe the particular application would benefit from welding, the following advice is applicable: When welding galvanised or ZAM® steel edging, it must be done in a well ventilated area. Do not weld through the edging. Thicker gauges make welding easier. Apply cold gal spray to exposed edges (both ZAM® & Gal, do not apply to Corten). Corten steel can be welded in a similar manner to mild steel.
<b>Welding Corten Steel:</b>	Corten steel behaves similarly to a mild steel and is safe to weld under similar conditions.
<b>Stainless steel rivets:</b>	For our larger edging systems, install a stainless steel rivet half way up the profile height on both sides of each connection. They are much more visually appealing than having tech screws above the soil level.
<b>Cladding:</b>	FormBoss™ can be used to clad your existing retaining wall. Fix by predrilling and fixing with timber screws or dyna bolts depending on the application.

## Distributed by Greenlines Gardenware® Pty Ltd. About us:

We've been selling and perfecting the FormBoss™ edging system for 9 years now. Over 800 kilometres of our edging has been installed throughout Australia since we started. We still receive incredible amounts of positive feedback from all of our customers. We really strive to provide a fantastic customer service for our customers and value your feedback.

Give us a call on **1800 367 626** if you have any additional questions not covered by these specifications. There are additional application guides on the website, see our 'Alternative applications' page.

## Proudly Australian made and owned

All FormBoss™ Edging systems are manufactured in Australia, with materials sourced both locally and internationally. Greenlines Gardenware® Pty Ltd is 100% Australian owned and family run. We take pride in providing you with the best edging systems & service possible.



**1800 FormBoss™**  
1800 367 626  
METAL GARDEN EDGING  
www.FORMBOSS.com.au

Nisshin Steel Quality Products  
**ZAM**  
Exclusive to FormBoss™ Edging systems